

The Sensotek Chi® sensor range is used to wirelessly monitor your vibratory equipment, reporting key parameters to our cloud based Analytix® platform. These values can be trended over time and used to identify faults or inefficiencies with your equipment.

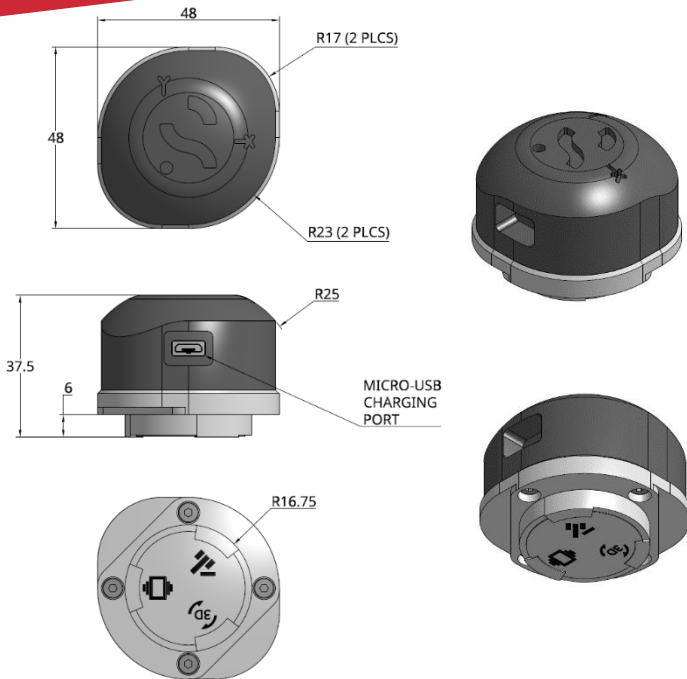
The Sensotek Chi® service tool sensor has been specifically developed to monitor bearings used in vibratory equipment:

### Key Applications

- Any machine with a given motion:
  - Elliptical
  - Circular
  - Linear
- Any machine with a rotating element:
  - Motors
  - Pumps
  - Fans

### Parameters Measured

- Stroke
- Vibration TWF
- Spectrum FFT
- Natural Frequency
- Temperature



| Mechanical            |                           |
|-----------------------|---------------------------|
| <b>Physical</b>       |                           |
| Dimensions            | Shown above               |
| Weight                | 105g                      |
| Lid Material – Lid    | Acetal                    |
| Material – Base       | Aluminium 6082-T6         |
| <b>Environmental</b>  |                           |
| Operating Temperature | -10 to 60°C (14 to 140°F) |
| Storage Temperature   | -10 to 60°C (14 to 140°F) |
| Sealing               | IP64                      |
| Shock                 | 1000g                     |

| Power Source      |                                   |
|-------------------|-----------------------------------|
| <b>Battery</b>    |                                   |
| Type              | Rechargeable Lithium Polymer 3.7V |
| Chemistry         | Lithium                           |
| Life              | 500 charge cycles                 |
| Sensor Usage Life | Approximately 10hrs of live data  |
| Charger Type      | Micro-USB                         |

| Kit Part Numbering (Options must be specified) |  |
|--|--|
| <b>CH-T01-s-t</b>                              |  |
| Number of Sensors in Kit (s)                   | 2 = Two Chi Sensors<br>4 = Four Chi Sensors    |
| Tablet Option (t)                              | 0 = Tablet Not Included<br>1 = Tablet Included |

| Communication            |                      |
|--------------------------|----------------------|
| <b>Data Transmission</b> |                      |
| Transmission Rate        | 10-15s               |
| Transmission Range       | 30m (site dependent) |
| Frequency                | 2.4GHz ISM Band      |

| Measurements                              |                            |
|---|----------------------------|
| <b>Temperature</b>                        |                            |
| Temperature Range                         | -40 to 80°C (-40 to 176°F) |
| Temperature Accuracy                      | ±2°C                       |
| <b>Vibration (more info on next page)</b> |                            |
| Axes                                      | X, Y, Z                    |
| Vibration Velocity                        | 2Hz to 2560Hz              |
| Frequency Range                           |                            |
| Vibration Velocity Range                  | ±5%                        |
| Vibration Velocity Range                  | 0.1 to 500mm/s             |
| Vibration Acceleration Range              | Programmable ±2g to ±16g   |